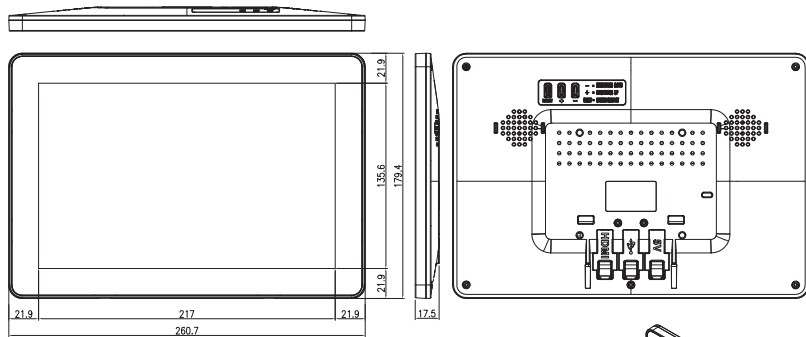
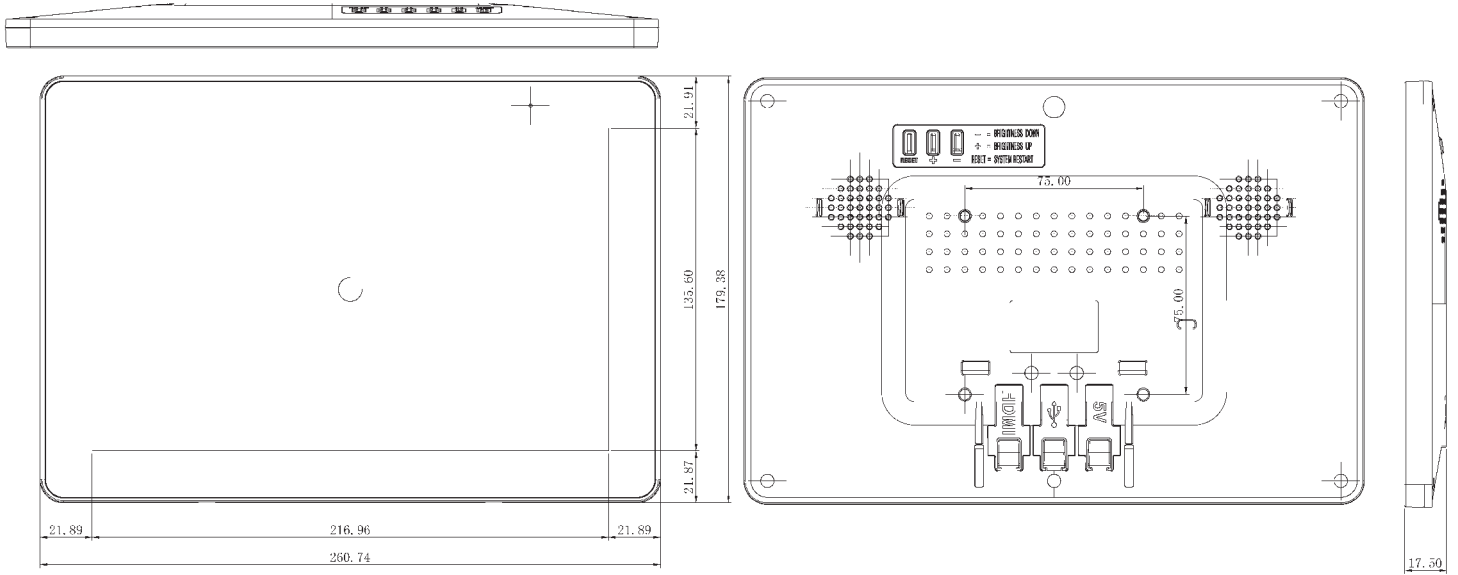
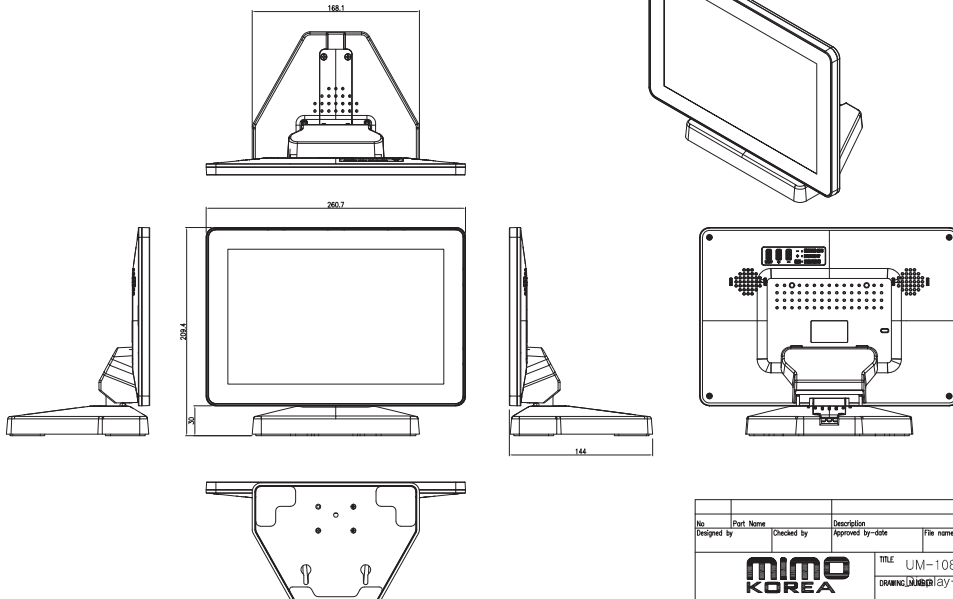
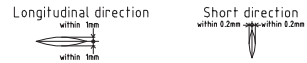


Product Drawings



NOTE

1. Material : Rear = ABS XR404 9001 BLACK
Middle = ABS XR404 NP (Black)
2. Cavity : 1 x 1
3. Finish : Rear = Matte Black Spray
Middle = Matte Black Spray
4. The P.L Line and location of gate and extrusion pin have to be discussed with R & D and make a decision.
5. Unless otherwise specified dimension refer to 3D data.
6. **There may be some very minor noticeable anomalies** to the product such as Sink Mark, Weld Line, Scratch, Flash, etc on the surface of the product.
7. Warp spec : See specs.



No.	Part Name	Checked by	Description	Approved by-date	File name	Qty	Scale	etc.
							1/1	
		TITLE		UM-1080C		DRAWING NUMBER		Day+Stand Set Edition Sheet