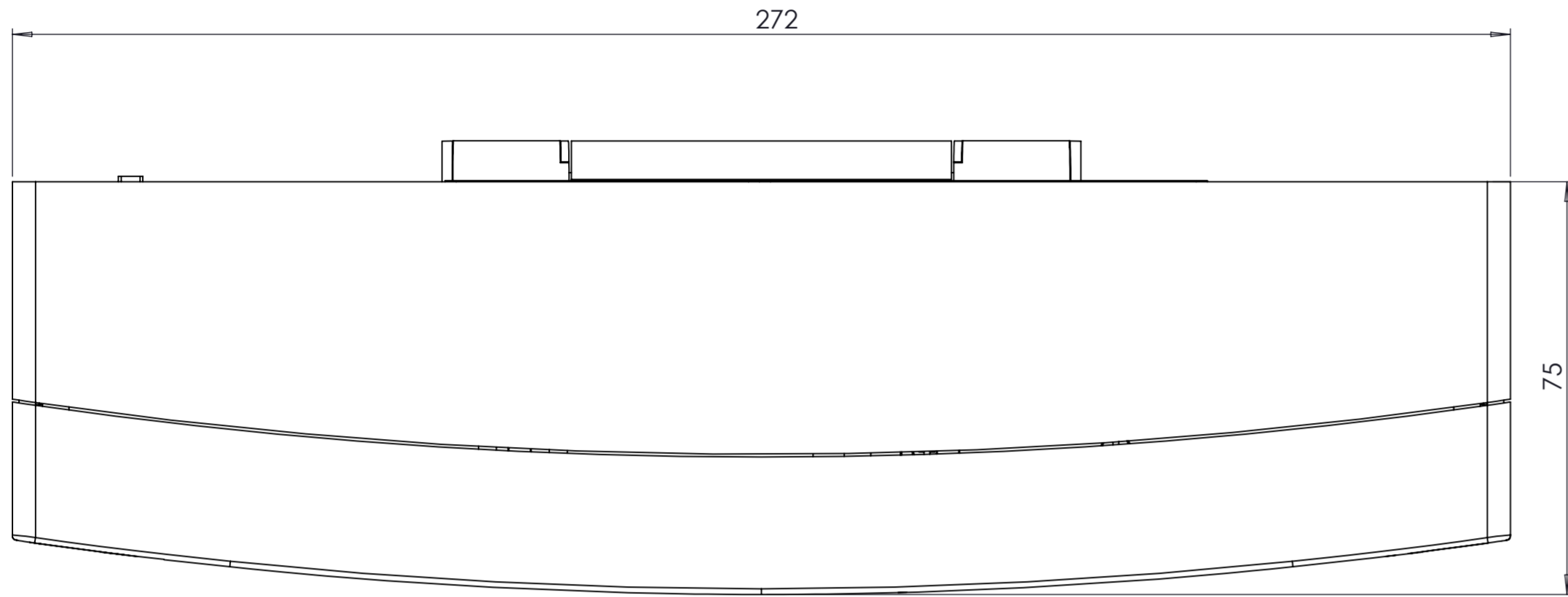
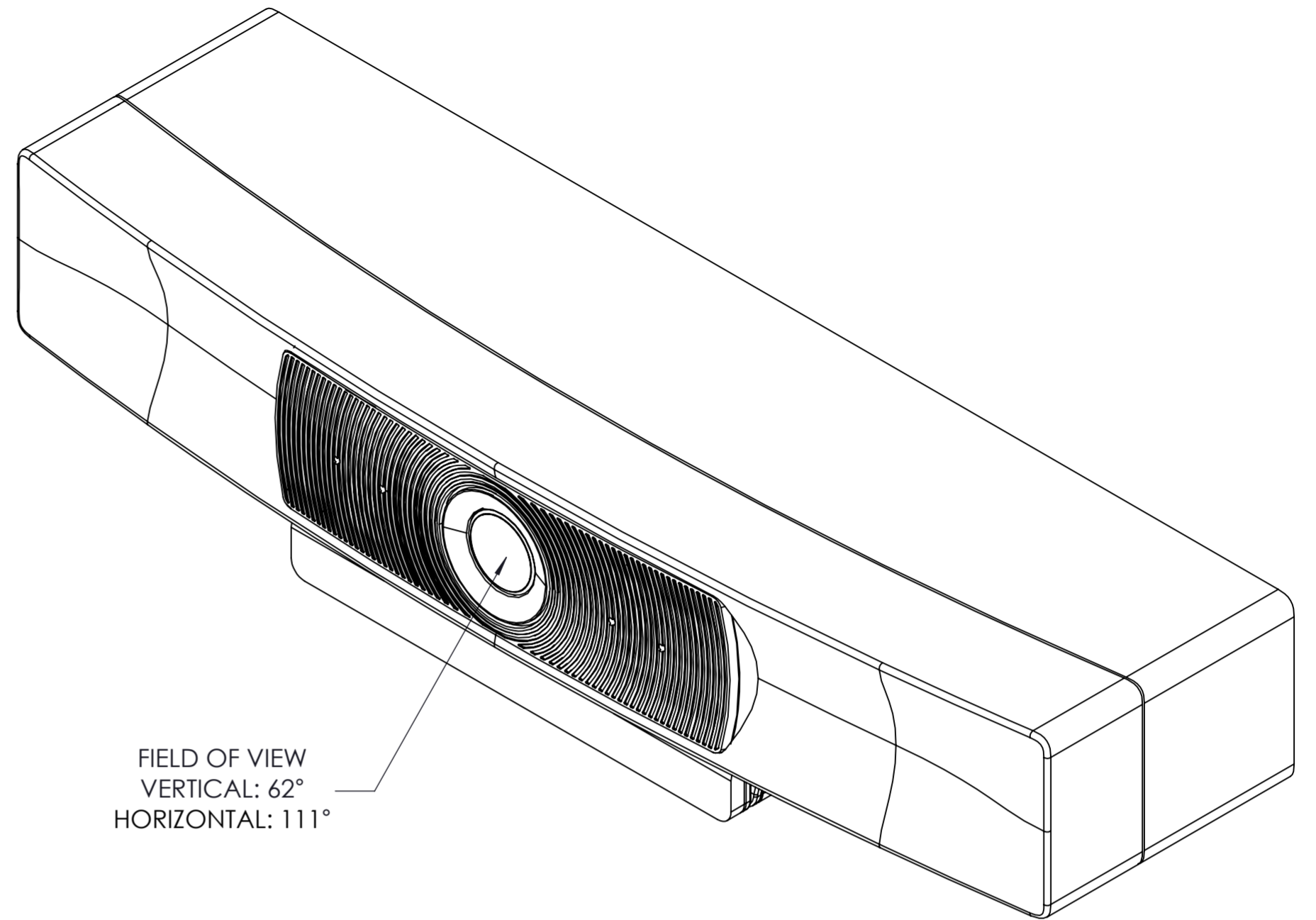


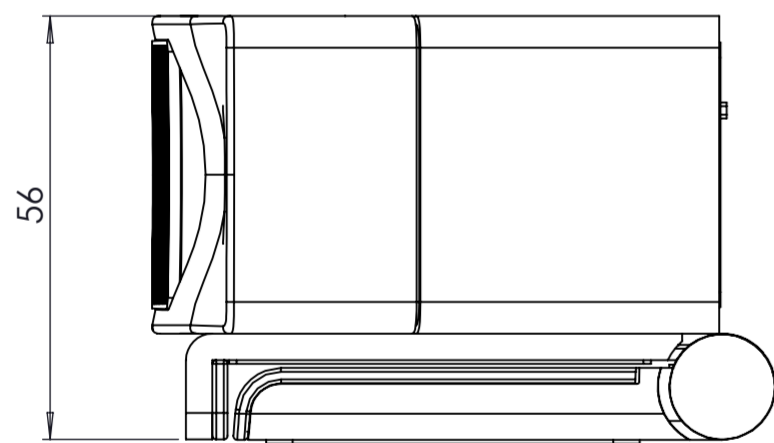
REVISIONS					
REV.	DESCRIPTION	DATE	DRAWN	CHK	ENG/APRV
A	Initial Release	1/30/2020	CDTUBI	DCLEM	DCLEM



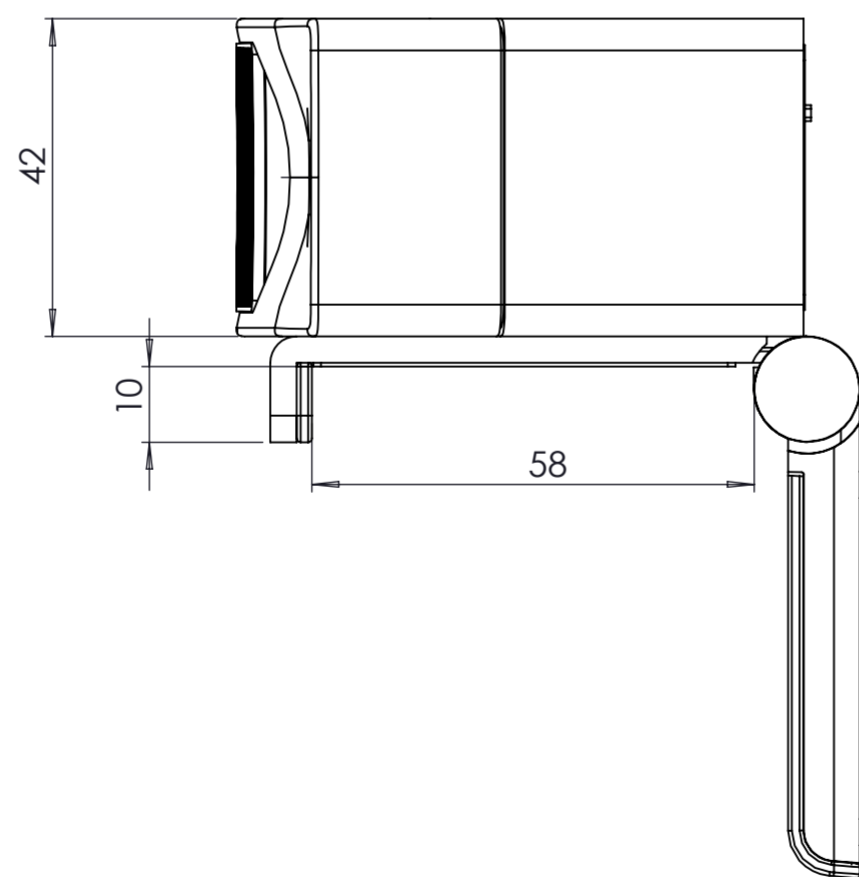
Top View



Isometric View



Side View



DWG SIZE	A2
SCALE	
THIRD ANGLE PROJECTION DO NOT SCALE DRAWING	
SOURCE FILE:	
PRINT FILE:	
	2/3/2020 2:24:01 PM

ALL DIMENSIONS ARE IN MILLIMETERS.
ALL FINISHED DIMENSIONS ARE AFTER PLATING AND FINISHING.

CONFIDENTIALITY NOTICE: THIS DOCUMENT (INCLUDING ALL INFORMATION CONTAINED THEREIN) IS OWNED BY DOLBY LABORATORIES INC. AND MUST BE KEPT IN CONFIDENCE AND USED SOLELY FOR THE OWNER'S SPECIFIED PURPOSES. ITS CONTENT MAY ALSO BE COVERED BY PATENTS. THIS DOCUMENT MUST NOT BE COPIED OR REPRODUCED, NOR DIVULGED IN WHOLE OR PART WITHOUT THE OWNER'S PRIOR WRITTEN CONSENT.



ASSEMBLY:		
DOLBY VOICE HUDDLE MECHANICAL DRAWING		
SHEET 1 OF 1		REV A